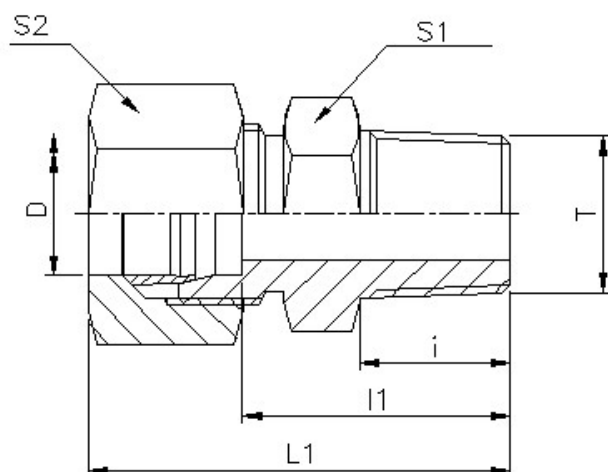
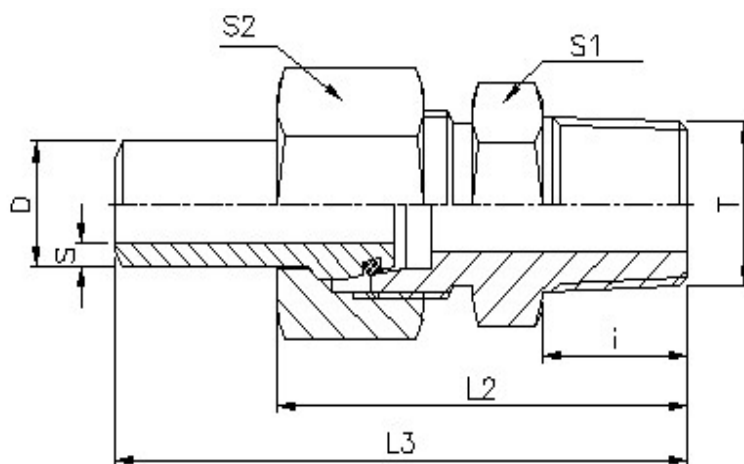


TAPER MALE STUD COUPLING - GX-R

Male BSPT thread



BITE TYPE



WELDABLE TYPE

ALL DIMENSIONS ARE IN MM

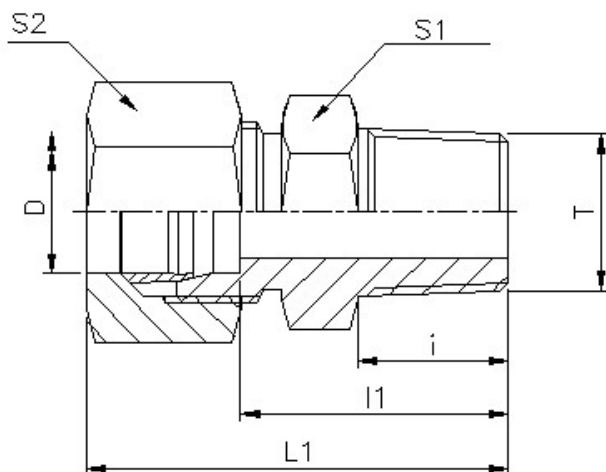
Series	D	S1	S2	T	i	PART NO.	L1*	I1	PART NO.	S#	L2*	L3*
LL Very Light PN 100	4	11	10	1/8BSPT	8	GX-4LLR1/8	26	16	-	-	-	-
	6	11	12	1/8BSPT	8	GX- 6LLR1/8	26	14.5	-	-	-	-
	8	12	14	1/8BSPT	8	GX- 8LLR1/8	28	16	-	-	-	-
L Light PN 315	6	12	14	1/8BSPT	8	GX-6LR	31	16	W-GX6LR	1.5	33	48
	6	17	14	1/4BSPT	14	GX-6LR1/4	37	22	W-GX6LR1/4	1.5	39	54
	8	17	17	1/4BSPT	14	GX-8LR	37	22	W-GX8LR	2.0	39	54
	10	19	19	1/4BSPT	14	GX-10LR	38	23	W-GX10LR1/4	2.0	39	57
	10	19	19	3/8BSPT	14	GX-10LR3/8	38	23	W-GX10LR	2.0	39	57
	12	19	22	1/4BSPT	14	GX-12LR1/4	39	24	W-GX12LR1/4	2.5	40	58
	12	19	22	3/8BSPT	14	GX-12LR	39	24	W-GX12LR	2.5	40	58
	12	22	22	1/2BSPT	16	GX-12LR1/2	42	27	W-GX12LR1/2	2.5	43	61
	15	24	27	1/2BSPT	16	GX-15LR	42	27	W-GX15LR	2.5	45	66
	18	27	32	1/2BSPT	16	GX-18LR	44	28	W-GX18LR	2.5	46	67
PN 160	22	32	36	3/4BSPT	19	GX-22LR	49	33	W-GX22LR	2.5	50	71
	28	41	41	1 BSPT	22	GX-28LR	53	36.5	W-GX28LR	3.0	57	82
	35	50	50	1-1/4BSPT	25	GX-35LR	61	40	W-GX35LR	3.0	64	93
	42	55	60	1-1/2BSPT	25	GX-42LR	64	41	W-GX42LR	3.0	68	97

- Weld nipple thickness (S) may be changed as per requirements.

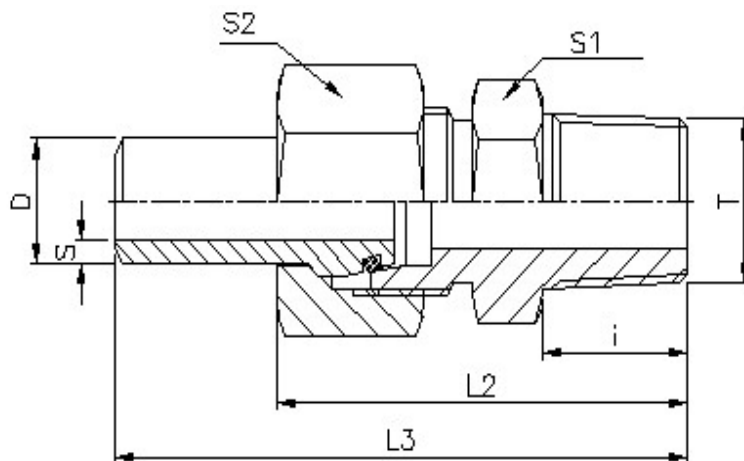
* - Dimensions given are approx.

TAPER MALE STUD COUPLING - GX-R

Male BSPT thread



BITE TYPE



WELDABLE TYPE

ALL DIMENSIONS ARE IN MM

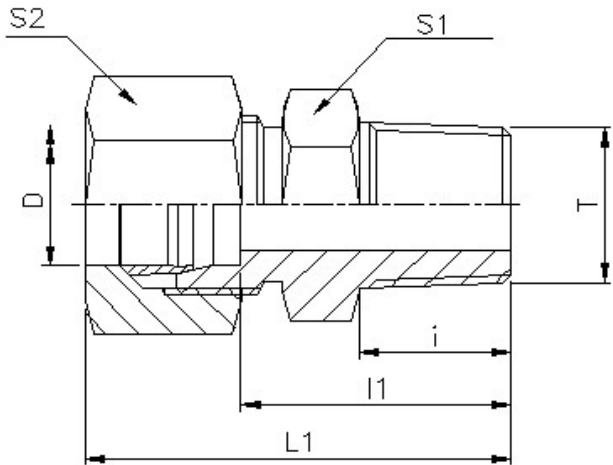
Series	D	S1	S2	T	i	PART NO.	L1*	I1	PART NO.	S#	L2*	L3*
S Heavy PN 630	6	17	17	1/4BSPT	14	GX-6SR	42	27	W-GX6SR	1.5	44	59
	8	17	19	1/4BSPT	14	GX-8SR	42	27	W-GX8SR	2.0	44	59
	10	19	22	1/4BSPT	14	GX-10SR1/4	43	26.5	W-GX10SR1/4	2.0	43	61
	10	19	22	3/8BSPT	14	GX-10SR	43	26.5	W-GX10R	2.0	43	61
	12	22	24	1/4BSPT	14	GX-12SR1/4	45	28.5	W-GX12SR1/4	2.5	45	63
	12	22	24	3/8BSPT	14	GX-12SR	45	28.5	W-GX12SR	2.5	45	63
	12	22	24	1/2BSPT	16	GX-12SR1/2	47	31	W-GX12SR1/2	2.5	47	65
	14	24	27	1/2BSPT	16	GX-14SR	50	32	W-GX14SR	2.5	53	74
PN 400	16	27	30	1/2BSPT	16	GX-16SR	50	32	W-GX16SR	2.5	52	75
	20	32	36	3/4BSPT	19	GX-20SR	59	36.5	W-GX20SR	3.0	60.5	83.5
	25	41	46	1 BSPT	22	GX-25SR	66	42	W-GX25SR	4.0	67	97
	30	46	50	1-1/4BSPT	25	GX-30SR	72	46	W-GX30SR	5.0	75	105
PN 315	38	55	60	1-1/2BSPT	25	GX-38SR	79	48	W-GX38SR	6.0	82	115

- Weld nipple thickness (S) may be changed as per requirements.

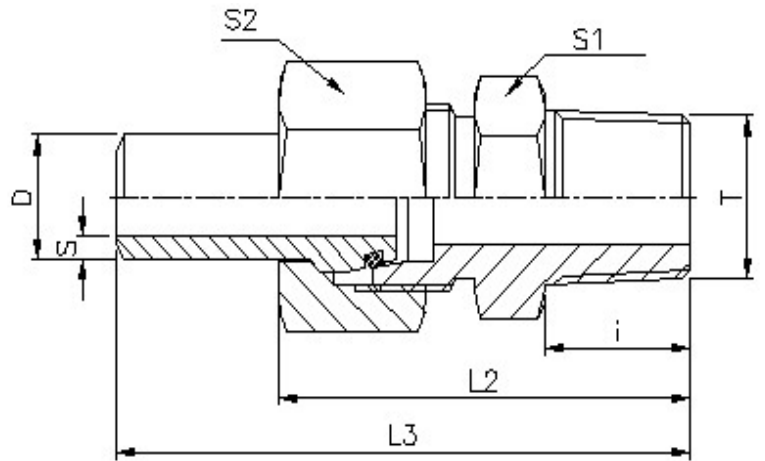
* - Dimensions given are approx.

TAPER MALE STUD COUPLING - GX-N

Male NPT thread (SAE J476)



BITE TYPE



WELDABLE TYPE

ALL DIMENSIONS ARE IN MM

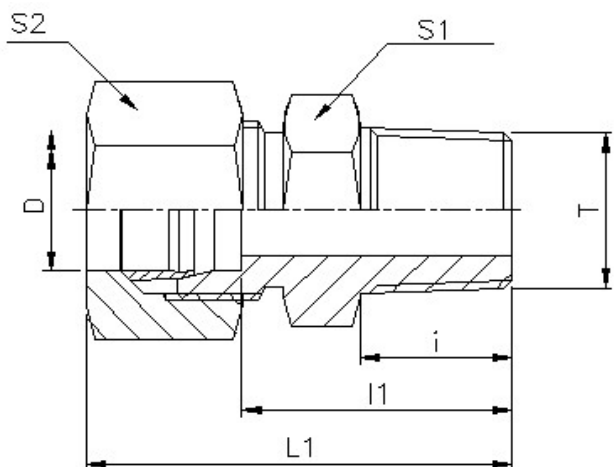
Series	D	S1	S2	T	i	PART NO.	L1*	I1	PART NO.	S#	L2*	L3*
LL Very Light PN 100	4	11	10	1/8NPT	10	GX-4LLN1/8	28	18.5	-	-	-	-
	6	11	12	1/8NPT	10	GX-6LLN1/8	28	16.5	-	-	-	-
	8	12	14	1/8NPT	10	GX-8LLN1/8	30	18.5	-	-	-	-
L light PN 315	6	12	14	1/8NPT	8	GX-6LN1/8	32	17	W-GX 6LN	1.5	34	48
	6	14	14	1/4NPT	14	GX-6LN1/4	38	23	W-GX6LN1/4	1.5	40	54
	8	17	17	1/4NPT	14	GX-8LN1/4	38	23	W-GX 8LN	2.0	40	54
	10	17	19	1/4NPT	14	GX-10LN1/4	39	24	W-GX10LN1/4	2.5	41	59
	10	19	19	3/8NPT	14	GX-10LN3/8	40	25	W-GX10LN	2.5	42	60
	12	19	22	1/4NPT	14	GX-12LN1/4	40	25	W-GX12LN1/4	2.5	41	58
	12	19	22	3/8NPT	14	GX-12LN3/8	40	25	W-GX12LN	2.5	41	58
	12	22	22	1/2NPT	16	GX-12LN1/2	45	30	W-GX12LN1/2	2.5	46	63
	15	24	27	1/2NPT	16	GX-15LN1/2	46	31	W-GX15LN	2.5	48	68
	18	27	32	1/2NPT	16	GX-18LN1/2	48	31.5	W-GX18LN	2.5	48.5	68.5
PN 160	22	32	36	3/4NPT	19	GX-22LN3/4	50	33.5	W-GX22LN	2.5	51	72
	28	41	41	1 NPT	22	GX-28LN1	56	39.5	W-GX28LN	3.0	58	83
	35	46	50	1-1/4NPT	25	GX-35LN1-1/4	62	40.5	W-GX35LN	3.0	64	92
	42	55	60	1-1/2NPT	25	GX-42LN1-1/2	65	42	W-GX42LN	3.0	69	98

- Weld nipple thickness (S) may be changed as per requirements.

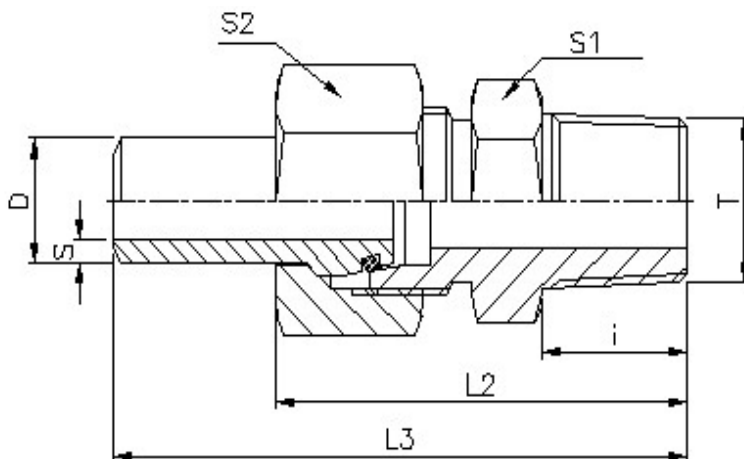
* - Dimensions given are approx.

TAPER MALE STUD COUPLING - GX-N

Male NPT thread (SAE J476)



BITE TYPE



WELDABLE TYPE

ALL DIMENSIONS ARE IN MM

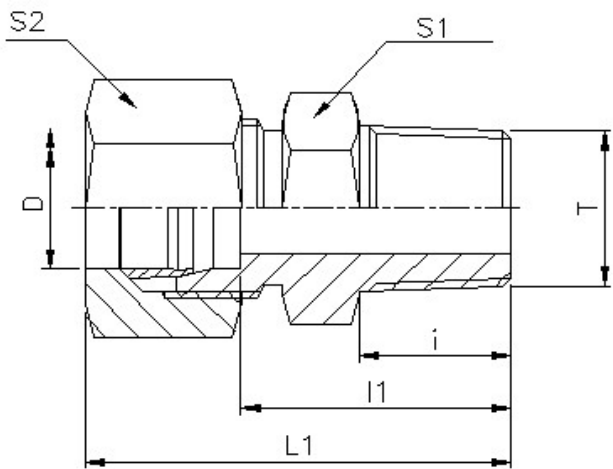
Series	D	S1	S2	T	i	PART NO.	L1*	I1	PART NO.	S#	L2*	L3*
S Heavy PN 630	6	17	17	1/4NPT	15	GX-6SN1/4	43	28	W-GX6SN1/4	1.5	45	59
	8	17	19	1/4NPT	15	GX-8SN1/4	43	28	W-GX8SN1/4	2.0	45	60
	10	19	22	1/4NPT	15	GX-10SN1/4	44	27.5	W-GX10SN1/4	2.0	45	62
	10	19	22	3/8NPT	15	GX-10SN	44	27.5	W-GX10SN	2.0	45	62
	12	22	24	1/4NPT	15	GX-12SN1/4	46	29.5	W-GX12SN1/4	2.5	47	64
	12	22	24	3/8NPT	15	GX-12SN3/8	46	29.5	W-GX12SN3/8	2.5	47	64
	12	22	24	1/2NPT	20	GX-12SN1/2	51	34.5	W-GX12SN1/2	2.5	52	69
	14	24	27	1/2NPT	20	GX-14SN1/2	54	36	W-GX14SN1/2	2.5	56	77
PN 400	16	27	30	1/2NPT	20	GX-16SN	54	35.5	W-GX16SN	2.5	56	77
	20	32	36	3/4NPT	20	GX-20SN	59	37.5	W-GX20SN	3.0	62	85
	25	41	46	1 NPT	25	GX-25SN	69	45	W-GX25SN	4.0	70	99
	30	46	50	1-1/4NPT	25.5	GX-30SN	73	46.5	W-GX30SN	5.0	76	106
PN 315	38	55	60	1-1/2NPT	26	GX-38SN	80	49	W-GX38SN	6.0	84	116

- Weld nipple thickness (S) may be changed as per requirements.

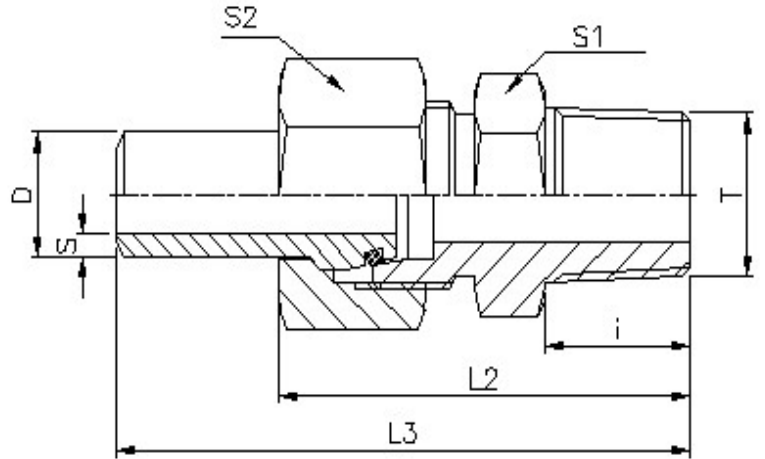
* - Dimensions given are approx.

TAPER MALE STUD COUPLING - GX-N

FOR INCH SIZE NOMINAL BORE TUBING - Male NPT thread (SAE J476)



BITE TYPE



WELDABLE TYPE

TUBE NB	D	S1	S2	NPT	i	FERRULE	L1*	I1	WNO	S#	L2*	L3*
1/4"	13.5	24	27	1/4NPT	15	4GXNBN	48	29.0	W-4GXNBN	3.0	46	65
3/8"	17.0	27	32	3/8NPT	15	6GXNBN	50	29.0	W-6GXNBN	3.25	47	71
1/2"	21.3	32	36	1/2NPT	20	8GXNBN	60	34.5	W-8GXNBN	4.15	60	79
3/4"	27.0	36	41	3/4NPT	20	12GXNBN	64	35.0	W-12GXNBN	4.5	66	94
1"	33.7	46	50	1NPT	25	16GXNBN	75	46.5	W-16GXNBN	4.8	73	102
1-1/4"	42.5	55	60	1-1/4NPT	25	20GXNBN	82	49.0	W-20GXNBN	5.25	81	110
1-1/2"	48.5	65	70	1-1/2NPT	26	24GXNBN	84	49.0	W-24GXNBN	5.2	86	123

- Weld nipple thickness (S) may be changed as per requirements.

* - Dimensions given are approx.