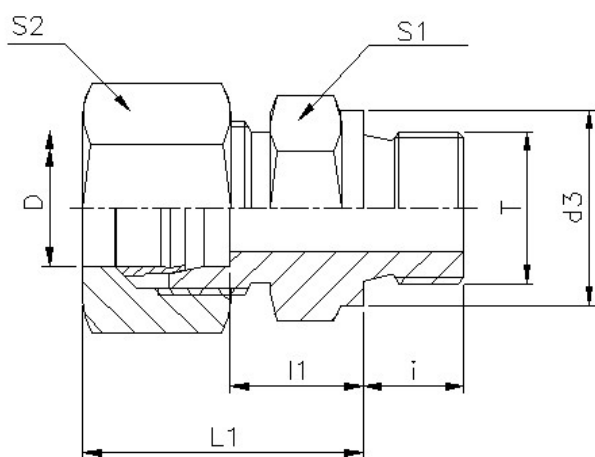
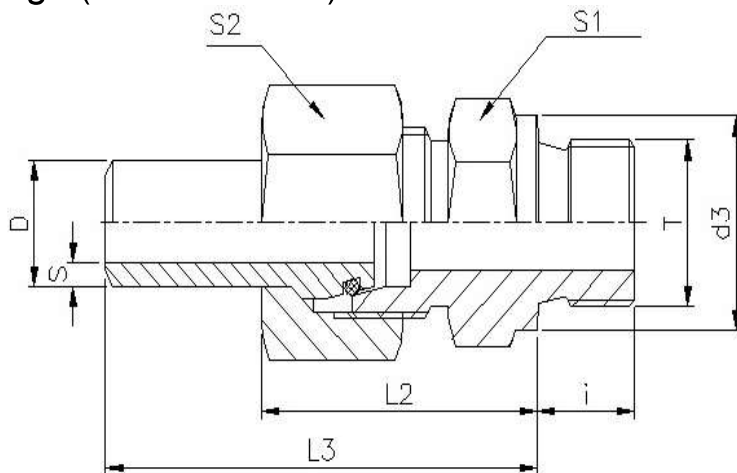


PARALLEL MALE STUD COUPLING – GE

MALE BSPP THREAD – metal sealing edge (IS 8805 -2002)



BITE TYPE



WELDABLE TYPE

ALL DIMENSIONS ARE IN MM

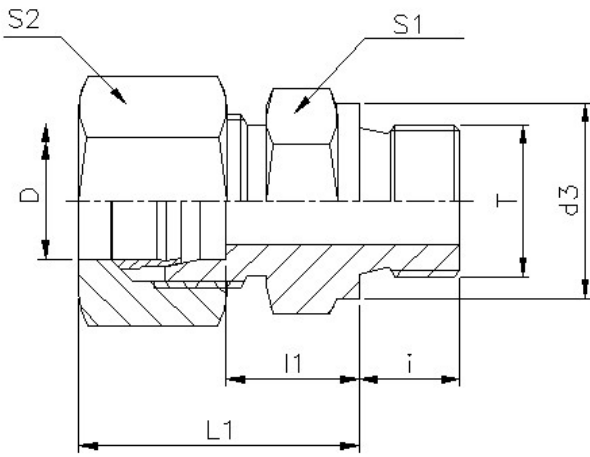
Series	D	S1	S2	G	i	d3	PART NO.	L1*	I1	PART NO.	S#	L2*	L3*
LL Very Light PN 100	4	11	10	G 1/8 A	8	-	GE4LLR	26	16	-	-	-	-
	6	11	12	G 1/8 A	8	-	GE6LLR	26	14.5	-	-	-	-
	8	12	14	G 1/8 A	8	-	GE8LLR	28	16.5	-	-	-	-
	8	14	14	G 1/4 A	12	-	GE8LLR1/4	32	20.5	-	-	-	-
	10	14	17	G 1/4 A	12	-	GE10LLR	32	20.5	-	-	-	-
	12	17	19	G 1/4 A	12	-	GE12 LLR	32	20	-	-	-	-
	12	17	19	G 3/8 A	12	-	GE12LLR3/8	32	20	-	-	-	-
L Light PN 315	6	14	14	G 1/8 A	8	14	GE6LR	23	8.5	W-GE6LR	1.5	25	39
	6	19	14	G 1/4 A	12	19	GE6LR1/4	25	10	W-GE6LR1/4	1.5	26.5	40.5
	8	19	17	G 1/4 A	12	19	GE8LR	25	10	W-GE8LR	2.0	27	41
	8	22	17	G 3/8 A	12	22	GE8LR3/8	26	12	W-GE8LR3/8	2.0	29	43
	10	19	19	G 1/4 A	12	19	GE10LR	26	11	W-GE10LR	2.0	28	46
	10	22	19	G 3/8 A	12	22	GE10LR3/8	27	13	W-GE10LR3/8	2.0	30	48
	10	27	19	G 1/2 A	14	27	GE10LR1/2	28	13	W-GE10LR1/2	2.0	30	48
	12	19	22	G 1/4 A	12	19	GE12LR1/4	27	12	W-GE12LR1/4	2.5	28	46
	12	22	22	G 3/8 A	12	22	GE12LR	27	13	W-GE12LR	2.5	29	47
	12	27	22	G 1/2 A	14	27	GE12LR1/2	28	13	W-GE12LR1/2	2.5	29	47
	15	22	27	G 3/8 A	12	22	GE15LR3/8	29	14	W-GE15LR3/8	2.5	31	51
	15	27	27	G 1/2 A	14	27	GE15LR	29	14	W-GE15LR	2.5	31	51
	18	27	32	G 1/2 A	14	27	GE18LR	31	15	W-GE18LR	2.5	32	52
18	32	32	G 3/4 A	16	32	GE18LR3/4	31	15	W-GE18LR3/4	2.5	32	52	
PN 160	22	32	36	G 3/4 A	16	32	GE22LR	33	17	W-GE22LR	2.5	34	54
	28	41	41	G 1 A	18	40	GE28LR	34	18	W-GE28LR	3.0	37	51
	35	50	50	G 1-1/4 A	20	50	GE35LR	39	18	W-GE35LR	3.0	41	69
	42	55	60	G 1-1/2 A	22	55	GE42LR	42	19	W-GE42LR	3.0	46	75

- Weld nipple thickness (S) may be changed as per requirements.

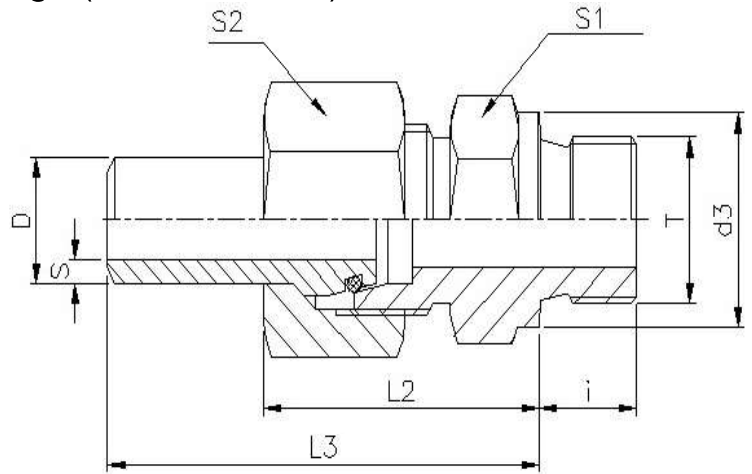
* - Dimensions given are approx.

PARALLEL MALE STUD COUPLING – GE

MALE BSPP THREAD – metal sealing edge (IS 8805 -2002)



BITE TYPE



WELDABLE TYPE

ALL DIMENSIONS ARE IN MM

Series	D	S1	S2	T	i	d3	PART NO.	L1*	I1	PART NO.	S#	L2*	L3*
S Heavy PN 630	6	19	17	G 1/4 A	12	19	GE6SR	28	13	W-GE6SR	1.5	30	44
	8	19	19	G 1/4 A	12	19	GE8SR	30	15	W-GE8SR	2.0	32	47
	8	22	19	G 3/8 A	12	22	GE8SR3/8	30	16	W-GE8SR3/8	2.0	33	48
	10	19	22	G 1/4 A	12	19	GE10SR1/4	31	15	W-GE10SR1/4	2.0	33	50
	10	22	22	G 3/8 A	12	22	GE10SR	31	15	W-GE10SR	2.0	33	50
	10	27	22	G 1/2 A	14	27	GE10SR1/2	34	18	W-GE10SR1/2	2.0	36	53
	12	22	24	G 1/4 A	12	19	GE12SR1/4	33	17	W-GE12SR1/4	2.5	34	51
	12	22	24	G 3/8 A	12	22	GE12SR	33	17	W-GE12SR	2.5	34	51
	12	27	24	G 1/2 A	14	32	GE12SR1/2	34	18	W-GE12SR1/2	2.5	35	52
	14	27	27	G 1/2 A	14	27	GE14SR	37	19	W-GE14SR	2.5	39	60
PN 400	16	27	30	G 3/8 A	12	22	GE16SR3/8	36	18	W-GE16SR3/8	2.5	38	59
	16	27	30	G 1/2 A	14	27	GE16SR	37	19	W-GE16SR	2.5	39	60
	16	32	30	G 3/4 A	16	32	GE16SR3/4	39	21	W-GE16SR3/4	2.5	41	62
	20	32	36	G 3/4 A	16	32	GE20SR	42	21	W-G20SR	3.0	42	65
	25	41	46	G 1/2 A	14	27	GE25SR1/2	47	23	W-GE25SR1/2	4.0	48	76
	25	41	46	G 3/4 A	16	32	GE25SR3/4	47	23	W-GE25SR3/4	4.0	48	76
	25	41	46	G 1 A	18	40	GE25SR	47	23	W-GE25SR	4.0	48	76
30	50	50	G1-1/4 A	20	50	GE30SR	50	24	W-GE30SR	5.0	52	81	
PN315	38	55	60	G 1-1/2 A	22	55	GE38SR	57	26	W-GE38SR	6.0	60	92

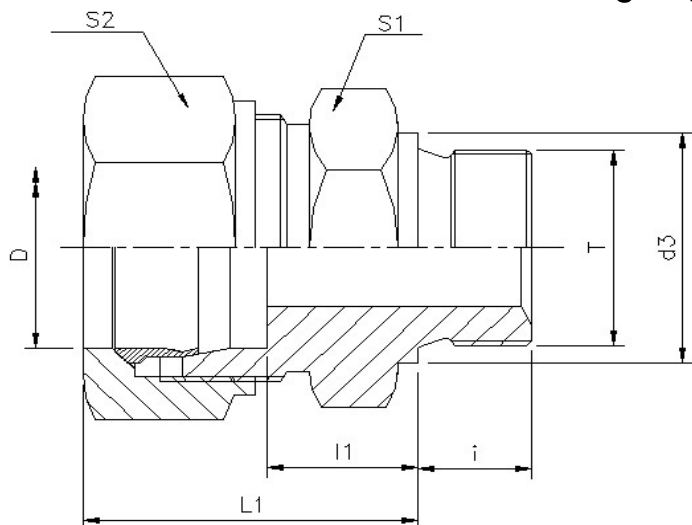
- Weld nipple thickness (S) may be changed as per requirements.

* - Dimensions given are approx.

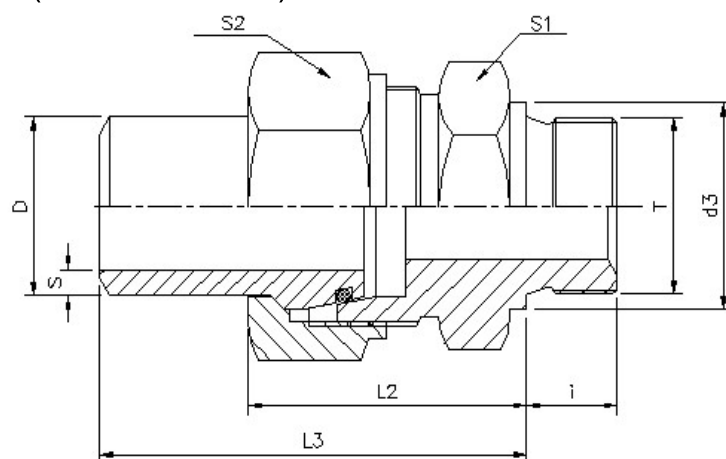
PARALLEL MALE STUD COUPLING – GE

FOR INCH SIZE NOMINAL BORE TUBING

MALE BSPP THREAD – metal sealing edge (IS 8805 -2002)



BITE TYPE



WELDABLE TYPE

ALL DIMENSIONS ARE IN MM

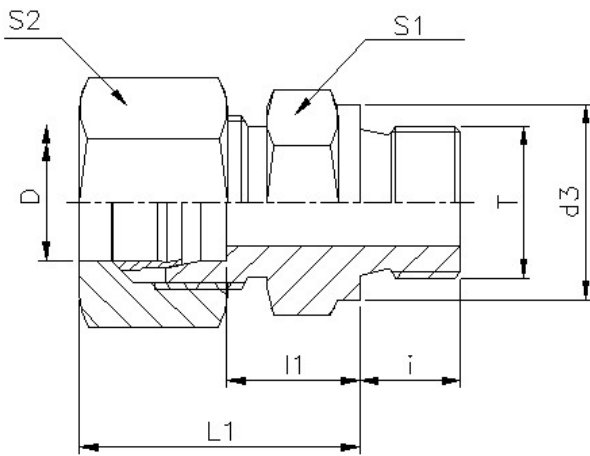
TUBE NB	D	S1	S2	T	i	d3	FERRULE	L1*	l1	WNO	S#	L2*	L3*
1/4"	13.7	24	27	G 1/4 A	12	18	4 GP NBR	32	14	W-4 GP NBR	3.0	31	50
3/8"	17.2	27	32	G 3/8 A	12	22	6 GP NBR	34	15	W-6 GP NBR	3.2	32	56
1/2"	21.5	32	36	G 1/2 A	14	26	8 GP NBR	40.5	15.5	W-8 GP NBR	4.2	40	59
3/4"	27.0	36	41	G 3/4 A	16	32	12 GP NBR	46	18	W-12 GP NBR	4.5	46	74
1"	34.0	46	50	G 1 A	18	39	16 GP NBR	52.5	23.5	W-16 GP NBR	4.8	54	83
1-1/4"	42.5	55	60	G1- 1/4 A	20	49	20 GP NBR	58	26	W-20 GP NBR	5.2	56	86
1-1/2"	48.5	65	70	G1- 1/2 A	22	55	24 GP NBR	60	27	W-24GP NBR	5.2	60	97
2"	60.3	75	80	G2 A	22	70	32 GP NBR	71	28	W-32GP NBR	5.5	72	102

- Weld nipple thickness (S) may be changed as per requirements.

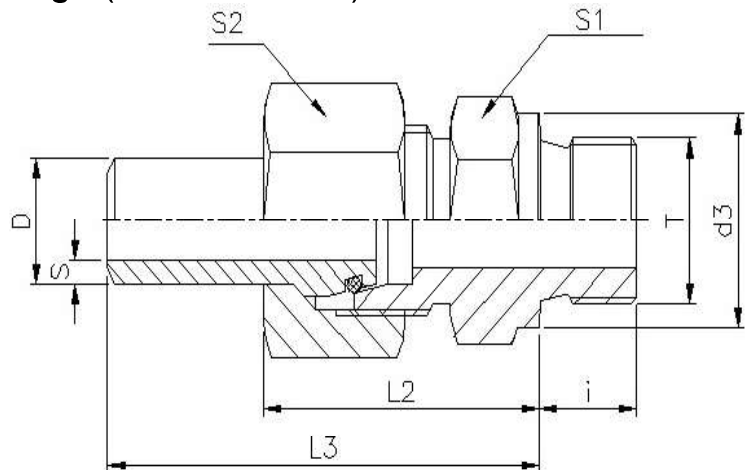
* - Dimensions given are approx.

PARALLEL MALE STUD COUPLING – GE-M

MALE METRIC THREAD – metal sealing edge (IS 8805 -2002)



BITE TYPE



WELDABLE TYPE

ALL DIMENSIONS ARE IN MM

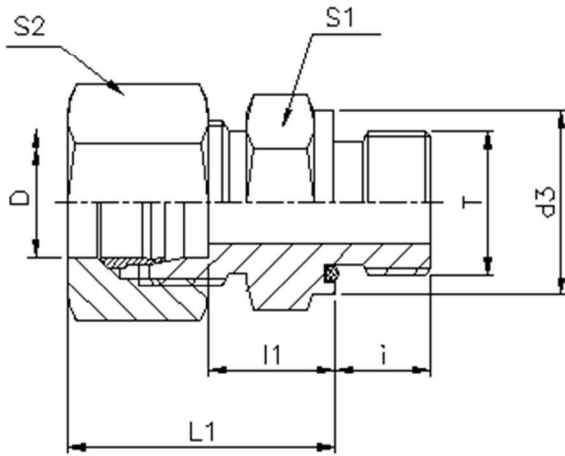
Series	D	S1	S2	T	i	d3	PART NO.	L1*	I1	PART NO.	S#	L2*	L3*
LL Very Light PN 100	4	9	10	M6x1	8	-	GE4LLM6	26	16	-	-	-	-
	4	10	10	M8x1	8	-	GE4LLM	26	16	-	-	-	-
	6	11	12	M10x1	8	-	GE6LLM	26	14.5	-	-	-	-
	8	12	14	M10x1	8	-	GE8LLM	28	16.5	-	-	-	-
L Light PN 315	6	14	14	M10x1	8	14	GE6LM	23	8.5	W-GE6LM	1.5	25	39
	8	17	17	M12x1.5	12	17	GE8LM	25	10	W-GE8LM	2.0	27	41
	10	19	19	M14x1.5	12	19	GE10LM	26	11	W-GE10LM	2.0	28	46
	12	22	22	M16x1.5	12	21	GE12LM	27	12.5	W-GE12LM	2.5	29	47
	15	24	27	M18x1.5	14	23	GE15LM	29	14	W-GE15LM	2.5	31	51
	18	27	32	M22x1.5	14	27	GE18LM	31	15	W-GE18LM	2.5	32	52
PN 160	22	32	36	M26x1.5	16	31	GE22LR	33	17	W-GE22LM	2.5	34	54
	28	41	41	M33x2	18	39	GE28LR	34	18	W-GE28LM	3.0	37	51
	35	50	50	M42x2	20	49	GE35LR	39	18	W-GE35LM	3.0	41	69
	42	55	60	M48x2	22	55	GE42LR	42	19	W-GE42LM	3.0	46	75
S Heavy PN 630	6	17	17	G12x1.5	12	17	GE6SM	28	13	W-GE6SM	1.5	30	44
	8	19	19	G14x1.5	12	19	GE8SM	30	15	W-GE8SM	2.0	32	47
	10	22	22	M16x1.5	12	21	GE10SM	31	15	W-GE10SM	2.0	33	50
	12	24	24	M18x1.5	12	23	GE12SM	33	17	W-GE12SM	2.5	34	51
	14	27	27	M20x1.5	14	25	GE14SM	37	19	W-GE14SM	2.5	39	60
PN 400	16	27	30	M22x1.5	14	27	GE16SM	37	19	W-GE16SM	2.5	39	60
	20	32	36	M27x2	16	32	GE20SM	42	21	W-GE20SM	3.0	42	65
	25	41	46	M33x2	18	39	GE25SM	47	23	W-GE25SM	4.0	48	76
	30	50	50	M42x2	20	50	GE30SM	50	24	W-GE30SM	5.0	52	81
PN315	38	55	60	M48x2	22	55	GE38SM	57	26	W-GE38SM	6.0	60	92

- Weld nipple thickness (S) may be changed as per requirements.

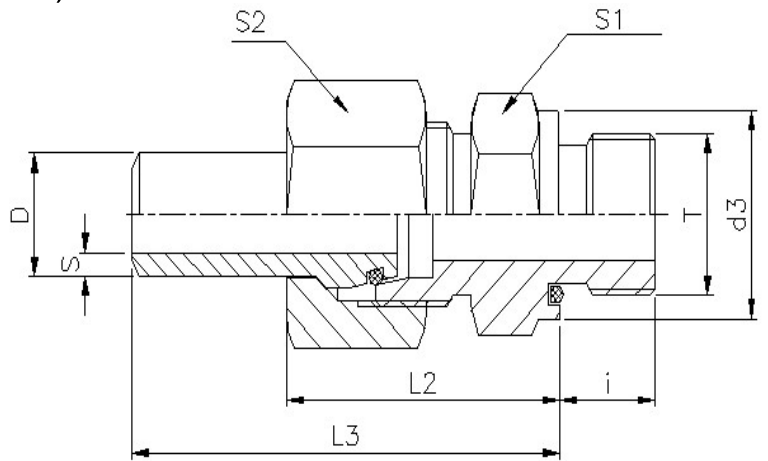
* - Dimensions given are approx.

PARALLEL MALE STUD COUPLING – GE-ED

MALE BSPB THREAD – ED-seal (ISO 1179)



BITE TYPE



WELDABLE TYPE

ALL DIMENSIONS ARE IN MM

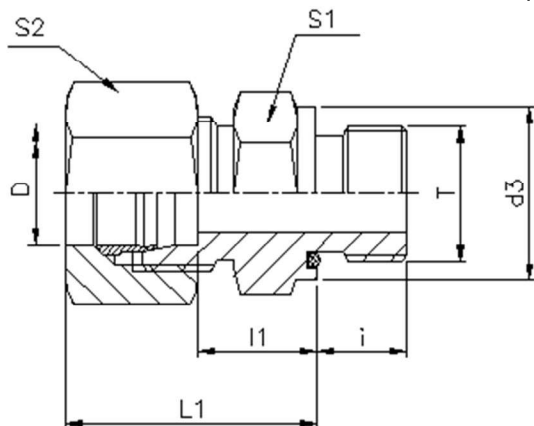
Series	D	S1	S2	G	I	d3	PART NO.	L1*	I1	PART NO.	S#	L2*	L3*
L Light PN 315	6	14	14	G 1/8 A	8	14	GE 6LR-ED	23	8.5	W-GE6LR-ED	1.5	25	39
	6	19	14	G 1/4 A	12	19	GE6LR1/4-ED	25	10	W-GE6LR1/4-ED	1.5	26.5	40.5
	8	19	17	G 1/4 A	12	19	GE8LR-ED	25	10	W-GE8LR-ED	2.0	27	41
	8	22	17	G 3/8 A	12	22	GE8LR3/8-ED	26	12	W-GE8LR3/8-ED	2.0	29	43
	10	19	19	G 1/4 A	12	19	GE10LR-ED	26	11	W-GE10LR-ED	2.0	28	46
	10	22	19	G 3/8 A	12	22	GE10LR3/8-ED	27	13	W-GE10LR3/8-ED	2.0	30	48
	10	27	19	G 1/2 A	14	27	GE10LR1/2-ED	28	13	W-GE10LR1/2-ED	2.0	30	48
	12	19	22	G 1/4 A	12	19	GE12LR1/4-ED	27	12	W-GE12LR1/4-ED	2.5	28	46
	12	22	22	G 3/8 A	12	22	GE12LR-ED	27	13	W-GE12LR-ED	2.5	29	47
	12	27	22	G 1/2 A	14	27	GE12LR1/2-ED	28	13	W-G12LR1/2-ED	2.5	29	47
	15	22	27	G 3/8 A	12	22	GE15LR3/8-ED	29	14	W-GE15LR3/8-ED	2.5	31	51
	15	27	27	G 1/2 A	14	27	GE15LR-ED	29	14	W-GE15LR-ED	2.5	31	51
	18	27	32	G 1/2 A	14	27	GE18LR-ED	31	15	W-GE18LR-ED	2.5	32	52
18	32	32	G 3/4 A	16	32	GE18LR3/4-ED	31	15	W-GE18LR3/4-ED	2.5	32	52	
PN 160	22	32	36	G 3/4 A	16	32	GE22LR-ED	33	17	W-GE22LR-ED	2.5	34	55
	28	41	41	G 1 A	18	40	GE28LR-ED	34	18	W-GE28LR-ED	3.0	37	61
	35	50	50	G 1-1/4 A	20	50	GE35LR-ED	39	18	W-GE35LR-ED	3.0	41	69
	42	55	60	G 1-1/2 A	22	55	GE42LR-ED	42	19	W-GE42LR-ED	3.0	46	75

- Weld nipple thickness (S) may be changed as per requirements.

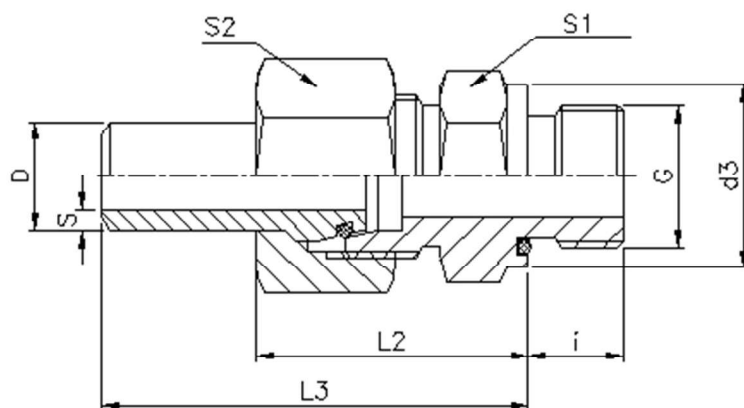
* - Dimensions given are approx.

PARALLEL MALE STUD COUPLING – GE-ED

MALE BSPB THREAD – ED-seal (ISO 1179)



BITE TYPE



WELDABLE TYPE

Series	D	S1	S2	T	i	d3	PART NO.	L1*	I1	PART NO.	S#	L2*	L3*
S Heavy PN 630	6	19	17	G 1/4 A	12	19	GE6SR-ED	28	13	W-GE6SR-ED	1.5	30	44
	8	19	19	G 1/4 A	12	19	GE8SR-ED	30	15	W-GE8SR-ED	2.0	32	47
	8	22	19	G 3/8 A	12	22	GE8SR3/8-ED	30	16	W-GE8SR3/8-ED	2.0	33	48
	10	19	22	G 1/4 A	12	19	GE10SR1/4-ED	31	15	W-GE10SR1/4-ED	2.0	33	50
	10	22	22	G 3/8 A	12	22	GE10SR-ED	31	15	W-GE10SR-ED	2.0	33	50
	10	27	22	G 1/2 A	14	27	GE10SR1/2-ED	34	18	W-GE10SR1/2-ED	2.0	36	53
	12	22	24	G 1/4 A	12	19	GE12SR1/4-ED	33	17	W-GE12SR1/2-ED	2.5	34	51
	12	22	24	G 3/8 A	12	22	GE12SR-ED	33	17	W-GE12SR-ED	2.5	34	51
	12	27	24	G 1/2 A	14	32	GE12SR1/2-ED	34	18	W-GE12SR1/2-ED	2.5	35	52
	14	27	27	G 1/2 A	14	27	GE14SR-ED	37	19	W-GE14SR-ED	2.5	39	60
PN 400	16	27	30	G 3/8 A	12	22	GE16SR 3/8-ED	36	18	W-GE16SR3/8-ED	2.5	38	59
	16	27	30	G 1/2 A	14	27	GE16SR-ED	37	19	W-GE16SR-ED	2.5	39	60
	16	32	30	G 3/4 A	16	32	GE16SR3/4-ED	39	21	W-GE16SR3/4-ED	2.5	41	62
	20	32	36	G 3/4 A	16	32	GE20SR-ED	42	21	W-GE20SR-ED	3.0	42	65
	25	41	46	G 1/2 A	14	27	GE25SR1/2-ED	47	23	W-GE25SR1/2-ED	4.0	48	76
	25	41	46	G 3/4 A	16	32	GE25SR3/4-ED	47	23	W-GE25SR3/4-ED	4.0	48	76
	25	41	46	G 1 A	18	40	GE25SR-ED	47	23	W-GE25SR-ED	4.0	48	76
	30	50	50	G1-1/4 A	20	50	GE30SR-ED	50	24	W-GE30SR-ED	5.0	52	81
PN315	38	55	60	G 1-1/2 A	22	55	GE38SR-ED	57	26	W-GE38SR-ED	6.0	60	92

- Weld nipple thickness (S) may be changed as per requirements.

* - Dimensions given are approx.